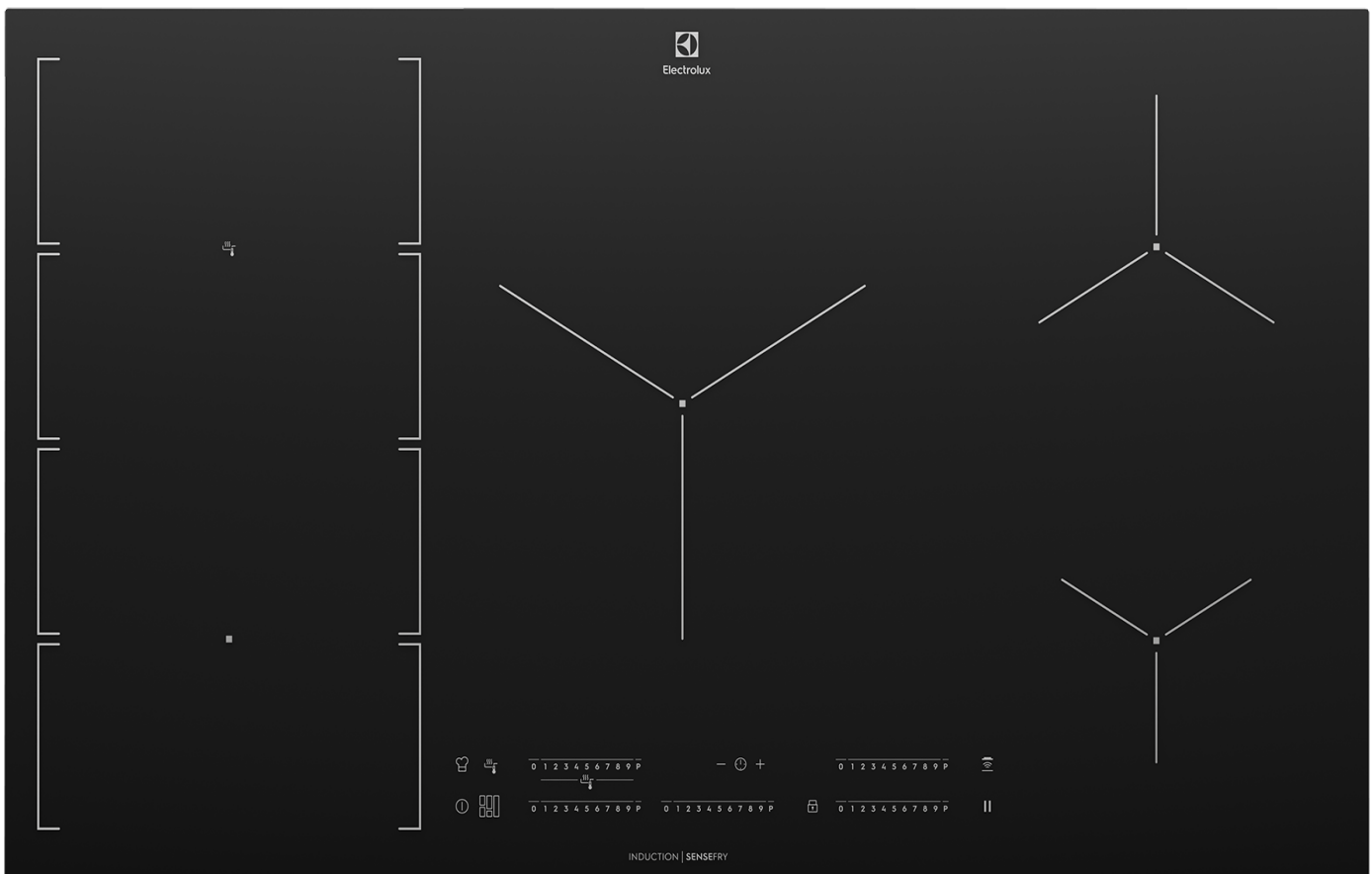


90cm 7 zone induction cooktop with SenseFry, FlexiBridge, MaxiZone, PowerSlide, PowerBoost and Hob2Hood capability

RRP AUS \$3,299.00



Product Details

FEATURES

SenseFry

FlexiBridge

Instant control with
PowerSlide

MaxiZone

PowerBoost

Hob2Hood technology

Touch and slide controls
Touch the control bar at the
necessary heat setting

STOP + GO function

Timer and minute minder

Auto warm up function

Auto pot detection

BENEFITS

EVEN FRYING. AUTOMATICALLY.

SenseFry measures heat levels and makes automatic adjustments under the pan to maintain the ideal temperature for even cooking results. Now its easy for you to whip-up evenly browned pancakes and juicy steaks at home.

MORE SPACE TO CREATE

Preparing many dishes at the same time or cooking a large dish for a dinner party? FlexiBridge provides the ultimate in flexibility. Combine cooking areas for a long pan or cook lots of dishes separately at different temperatures with this fully adaptable zone.

SLIDE FROM SEAR TO SIMMER

The PowerSlide function allows you to slide your pots between the three pre-set temperature zones so that you can easily control the cooking levels. This is ideal for bringing sauces to the boil, simmering and then keeping warm for tastier results.

SEAR. STIR-FRY. BOIL.

The PowerBoost function gives you an intense heat boost when needed, before automatically dropping to the highest power level. Perfect for pan searing fish, stir-frying crunchy vegetables, or bringing water to the boil quickly.

HANDS-FREE HOOD

Hob2Hood automatically switches on your extractor hood when you start cooking and adjusts the fan speed based on how you are using your hob. This means you can boil, sear or stir-fry without having to touch your hood with greasy fingers.

INTUITIVE TOUCH CONTROLS

Sensitive touch controls take you from simmering to boiling and back again, almost instantly. This controllability allows you to apply precise changes that can take your dishes from tasty to truly delicious. Pan-sear steak with intense heat, and then instantly drop the temperature down to protect that beautifully juicy, medium-rare texture.

Specifications

PRODUCT PROFILE

| | |
|---------------------------------|---------------------|
| Domestic warranty details (yrs) | 2 |
| Cooktop type | induction |
| Materials/Colour | black ceramic glass |

DIMENSIONS

| | |
|---------------------------|-----|
| Total product height (mm) | 55 |
| Total product width (mm) | 910 |
| Total product depth (mm) | 520 |
| Cut out width (mm) | 880 |
| Cut out depth (mm) | 490 |

CONTROLS

| | |
|-----------------------|--|
| Controls of Cooktops | Touch and Slide controls |
| Functions of Cooktops | automatic warm up,timer,Keep warm function,cooking timer with acoustic signal,automatic switch off,Hob2Hood,FlexiBridge,Bridging,PowerBoost,MaxiZone |
| Indicators/display | fault indicator,3 level residual heat indicator |
| Features of Cooktop | safety cut off,overheating protection,electronic timer,minute minder,function lock,hot surface indicator,auto pot sensors,child safety device lock,PowerSlide mode,FlexiBridge zone,MaxiZone,Hob2Hood,SenseFry |
| Timer of Cooktop | programmable 99min,auto off,countdown,Minute minder |

ELEMENTS/BURNERS

LEFT FRONT ZONE

| | |
|------------------------|-------------|
| Left front zone | FlexiBridge |
| Left front Watts | 2300 |
| Left front boost watts | 3400 |

LEFT REAR ZONE

| | |
|----------------|-------------|
| Left rear zone | FlexiBridge |
|----------------|-------------|

| | |
|-----------------|------|
| Left rear watts | 2300 |
|-----------------|------|

RIGHT FRONT ZONE

| | |
|------------------|-----------|
| Right front zone | induction |
|------------------|-----------|

| | |
|-------------------|------|
| Right front Watts | 1400 |
|-------------------|------|

ELECTRICAL SPECIFICATIONS

| | |
|-------------------|-----|
| Connected load KW | 7.4 |
|-------------------|-----|

| | |
|--------------------|-----------|
| Type of connection | hardwired |
|--------------------|-----------|

CENTRE FRONT ZONE

| | |
|-------------------|----------|
| Centre front zone | MaxiZone |
|-------------------|----------|

| | |
|--------------------|------|
| Centre front Watts | 3500 |
|--------------------|------|

RIGHT REAR ZONE

| | |
|-----------------|-----------|
| Right rear zone | induction |
|-----------------|-----------|

| | |
|------------------|------|
| Right rear watts | 1800 |
|------------------|------|

SHIPPING

| | |
|----------------------|-------|
| Shipping Volume (m3) | 0.071 |
|----------------------|-------|

| | |
|----------------------|----|
| Shipping Weight (Kg) | 20 |
|----------------------|----|

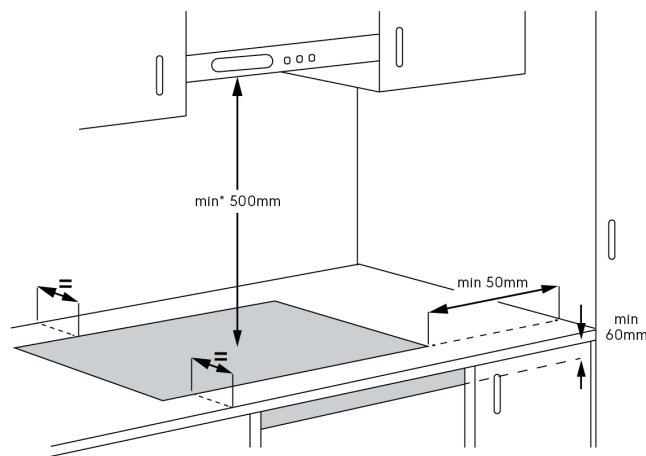
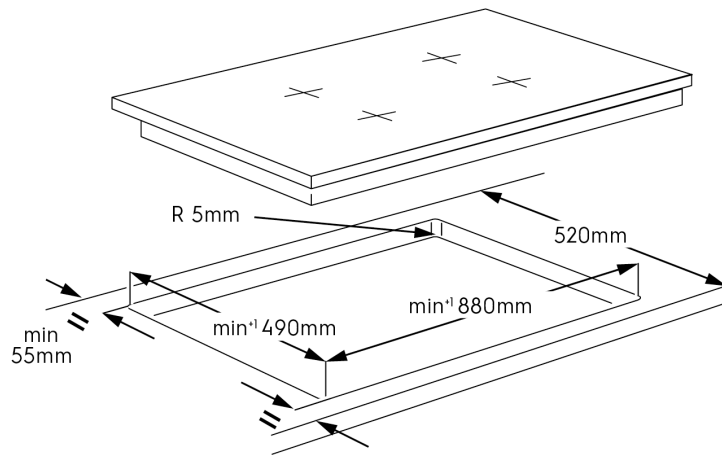
| | |
|-----------------------------|-----|
| Pack Dimensions Height (mm) | 118 |
|-----------------------------|-----|

| | |
|---------------------------|------|
| Pack Dimension Width (mm) | 1000 |
|---------------------------|------|

| | |
|---------------------------|-----|
| Pack Dimension Depth (mm) | 600 |
|---------------------------|-----|

Dimensions

Model:
EHI977BE



Terms and Conditions

IMPORTANT

This is a guide of product dimensions only. For complete installation instructions, refer to the manual provided with product.

PRODUCT INFORMATION

The descriptors and illustrations in this publication apply to the specific products and models described as at the date of issue. Under our policy of continuous product development, product specifications may change without notice. Prospective purchasers should therefore check with their retailer to ensure this publication correctly describes the products that are being offered for sale. All information supplied is to be used for general reference purposes only and is on the understanding that Electrolux Home Products Pty Ltd (Australia) and Electrolux (NZ) Ltd (New Zealand) will not be liable for any loss, liability or damage of whatever kind arising as a result of reliance on such information. Colours of products illustrated are as close as printing limitations allow. Electrolux will at all times comply with its obligations pursuant to law including Trade Practices (Australian Consumer Law) Act and Regulations.

WARRANTY

This warranty only applies to Appliances purchased and used in Australia or New Zealand and used in normal domestic applications and is in addition to (and does not exclude, restrict, or modify in any way) any non-excludable statutory warranties in Australia or New Zealand. All warranties are subject to the conditions set out in the warranty card accompanying the product when purchased.

ELECTROLUX HOME PRODUCTS AUSTRALIA

telephone: 1300 363 640

fax: 1800 350 067

email: customercare@electrolux.com.au

web: www.electrolux.com.au

ELECTROLUX HOME PRODUCTS NEW ZEALAND

telephone: 09 573 2230

fax: 09 573 2221

email: customercare@electrolux.co.nz

web: www.electrolux.co.nz