

10kg wash & 6kg dry washer dryer combination, with 5 star energy and 4.5 star WELS rating. This washer dryer is Wi-Fi enabled and features the latest SensorWash technology, UltraMix + Jet system, Woolmark Blue certification (wash) and vapour refresh options.

RRP AUS \$1,899.00



Product Details

FEATURES

High performance 1400 rpm spin cycle

Gentle Drum
More smaller holes allow water to pass in and out of the drum quickly, while also helping to reduce pulling of your clothes during high-speed spinning.

Extra-Large Door Opening

Add Clothes
With our Add Clothes function, you can quickly add those forgotten items. It can only be used when the water level is below the door and on programs where the water temperature is less than 60 degrees Celsius.

5 Energy Stars rated

Save your favourite program

Woolmark Blue Certified

EcoInverter
The ecoinverter motor delivers quieter operation, improvements in energy efficiency and improved durability, backed by a 10 year parts & labour inverter motor warranty ensuring peace of mind.

BENEFITS

Hygienic Care
Electrolux front load washers with Hygienic Care option selected remove up to 99.2% of Der f1 (dust mite) and Fel d1 (cat allergen) and up to 99.9% of Staphylococcus aureus and Klebsiella pneumonia during a 40C cottons wash.

Intuitive and intelligent
Keep colours bright, whites startling and blacks dark. Smart sensors automatically detect the soil and detergent levels to adjust the washing time for optimal, energy-efficient results that reduces unnecessary wear on fabrics.

Extra-Large Door Opening
The extra-large door opening was designed to make loading and unloading your machine a breeze. With easy access to the inside drum, you will enjoy better visibility so you never miss those smaller items.

Quietly efficient
Reduce your energy needs by up to 50% with a powerful and reliable EcoInverter motor that cuts vibrations and noise to the barest whisper. With the 10 year parts and labour inverter motor warranty your Electrolux will deliver, wash after wash, year after year. *vs Electrolux non inverter motors

REMOVES 49 VISIBLE STAINS*

Wash out all kinds of stubborn stains with ease, without the need for pre-treatments. SensorWash technology automatically detects dirt and soil levels and adjusts the cycle duration accordingly to effortlessly remove 49 different visible stains.**Tested on 4.5kg load with 5cm² stains from food, household and personal products using Cotton 40C + Stain Cycle. Results may vary depending on factors such as load size, type and duration of soiling, detergent type and water pressure.

Hand it to us

You can safely trust your Electrolux to treat your delicate wool garments with utmost care. Our wool cycle is proven to be gentle enough even for your hand wash only woollens, keeping them as fresh and lovely as they felt when you first put them on.

Deeper clean

Say goodbye to detergent or soil residue on your freshly washed garments. UltraMix ensures detergent is fully dissolved before it reaches your fabrics for 40% less colour fading after 52 washes, even using cold water.

Specifications

PRODUCT PROFILE

Domestic warranty details (yrs) 2

Front Loader Type combination front loader and dryer

Capacity (Kg) 10

Frontloader Wash system UltraMix,SensorWash,jetsystem

DRYER

Capacity (Kg) 6

DIMENSIONS

PRODUCT

Total height (mm) 850

Total width (mm) 600

Total depth (mm) 660

DRYING PROGRAMS

Drying Programs WashDry
60,Cotton,Delicate,Wool,time
drying,Favourite,Bedding,Energy
Saver,Vapour
Refresh,Mixed,Hygienic Care

Options available temperature selection,Time Dry

Fabric type selection cotton,wool,delicate

Reminder/ Indicators time dry,child lock

ENERGY FOR WASHING

Energy Star Rating 5

Energy Consumption Warm (KWhr/yr) 226

Water efficiency star rating 4.5

Water consumption (litres) 83

Noise level dBA 52

WASH PROGRAMS

Number of Programs 14

Frontloader Wash programs Delicate,Bedding,spin,Mixed,Energy Saver,Cotton,Wool,Vapour Refresh,Rinse & Spin,App Program,Sports,Quick 15,Favourite,Daily 39,Full Wash 60

Wash options Delay Start,SensorWash,Child Lock,Rinse,Add Clothes,Hygienic Care,Temperature,Spin Option

Dispenser pre-wash dispenser,Powder or liquid detergent dispenser,Fabric softener dispenser

Wash and Dry Programs WashDry 60,Cottons

ENERGY FOR DRYING

Energy Star Rating 3

Energy Consumption (KWhr/yr) 229

Water consumption (litres) 65

CONTROLS

Type of controls rotary,Touch button,electronic interface

Control panel colour blue

Functions available prewash,Add Clothes,SensorWash,Child Lock,Temperature,UltraMix

Type of display LCD

WASH PROGRAMS

Wash and Dry options Time Dry, Dryness Level

BOWL

Drum material stainless steel

CABINET

Cabinet Colour white

Cabinet material painted galvanized steel

DOOR

Reversible No

door lock Yes

TECHNICAL

Water pressure requirements min 50

Water pressure requirements max 800

Water supply cold

Inlet hose length 1350

Inlet hose extension avail as spare part Yes

Drain hose length 1450

Drain hose extension avail as spare part Yes

Service cord length 1500

TECHNICAL

Motor type	Ecoinverter
------------	-------------

Maximum spin speed	1400
--------------------	------

Variable spin speed	Yes
---------------------	-----

Number of spin speeds	6
-----------------------	---

SHIPPING

Shipping Volume (m3)	38.6
----------------------	------

Shipping Weight (Kg)	80.5
----------------------	------

Pack Dimensions Height (mm)	870
-----------------------------	-----

Pack Dimension Width (mm)	635
---------------------------	-----

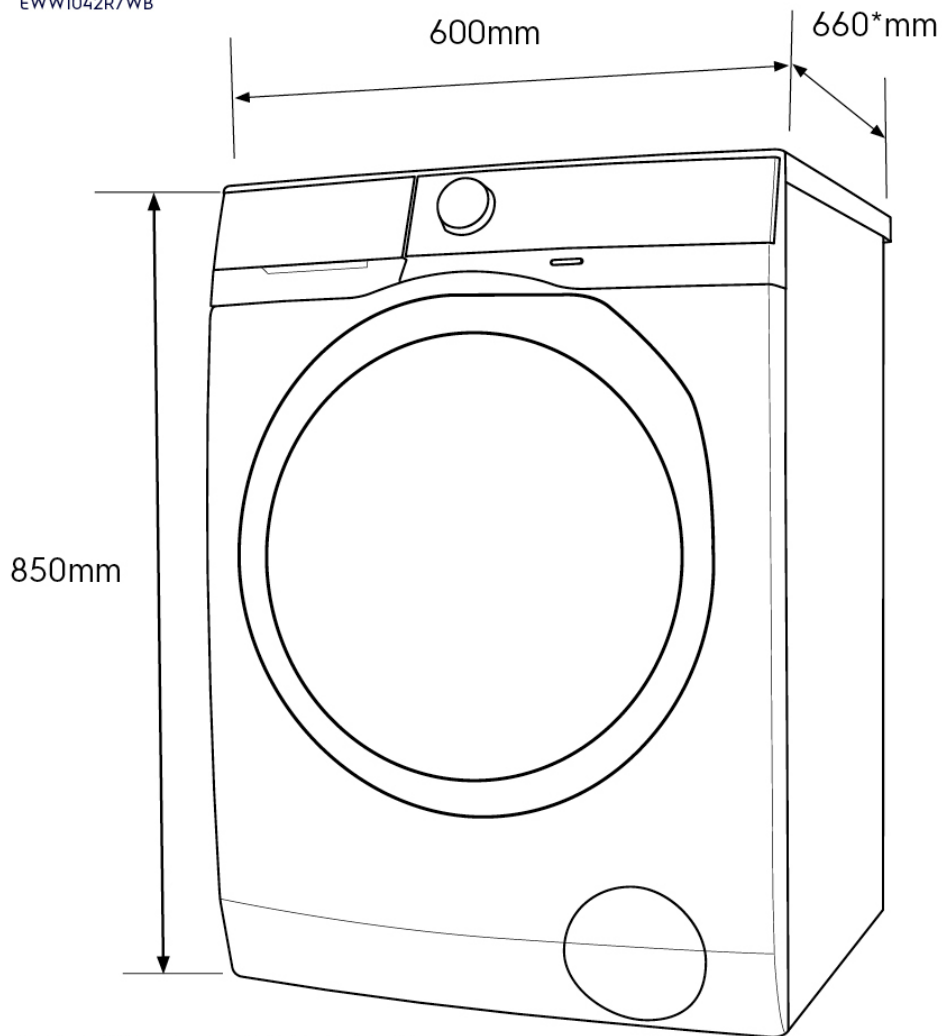
Pack Dimension Depth (mm)	698
---------------------------	-----

STUFFING QUANTITIES

40ft HC	150
---------	-----

Dimensions

Model:
EWF8024Q5WB
EWF9024Q5WB
EWF9042R7WB
EWF1042R7WB
EWF1041R9WB
EWW1042R7WB



*Add 20mm for the hose protrusion at the back.

IMPORTANT

This is a guide of product dimensions only. For complete installation instructions, refer to the manual provided with product.

Terms and Conditions

IMPORTANT

This is a guide of product dimensions only. For complete installation instructions, refer to the manual provided with product.

PRODUCT INFORMATION

The descriptors and illustrations in this publication apply to the specific products and models described as at the date of issue. Under our policy of continuous product development, product specifications may change without notice. Prospective purchasers should therefore check with their retailer to ensure this publication correctly describes the products that are being offered for sale. All information supplied is to be used for general reference purposes only and is on the understanding that Electrolux Home Products Pty Ltd (Australia) and Electrolux (NZ) Ltd (New Zealand) will not be liable for any loss, liability or damage of whatever kind arising as a result of reliance on such information. Colours of products illustrated are as close as printing limitations allow. Electrolux will at all times comply with its obligations pursuant to law including Trade Practices (Australian Consumer Law) Act and Regulations.

WARRANTY

This warranty only applies to Appliances purchased and used in Australia or New Zealand and used in normal domestic applications and is in addition to (and does not exclude, restrict, or modify in any way) any non-excludable statutory warranties in Australia or New Zealand. All warranties are subject to the conditions set out in the warranty card accompanying the product when purchased.

ELECTROLUX HOME PRODUCTS AUSTRALIA

telephone: 1300 363 640

fax: 1800 350 067

email: customercare@electrolux.com.au

web: www.electrolux.com.au

ELECTROLUX HOME PRODUCTS NEW ZEALAND

telephone: 09 573 2230

fax: 09 573 2221

email: customercare@electrolux.co.nz

web: www.electrolux.co.nz