

Under Cupboard Rangehood

IVUM Series



ILVE's concealed rangehoods craftily stand above the rest. Their powerful highspeed fan removes cooking odours, smoke and vapour from the kitchen, while extremely fine filters trap all grime. In-built LED Lights produce a natural brightness, illuminating your cooking area while the streamlined electronic control panel ensures whisper quiet air extraction is at your fingertips. It's easy to see that ILVE Rangehood's are built to extract!



Pictured: • IVUM60 Under Cupboard Rangehood

Under Cupboard Rangehood

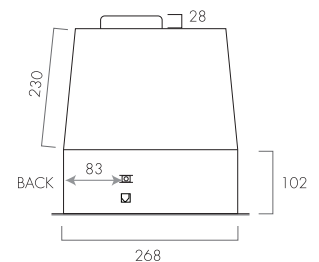
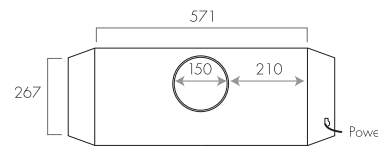
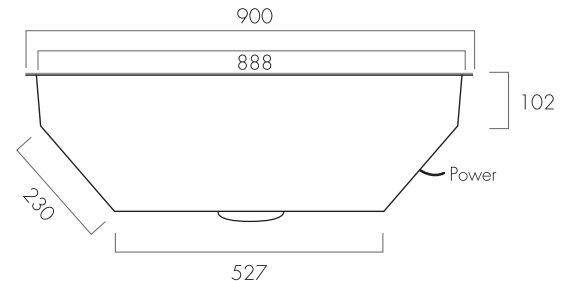
IVUM Series



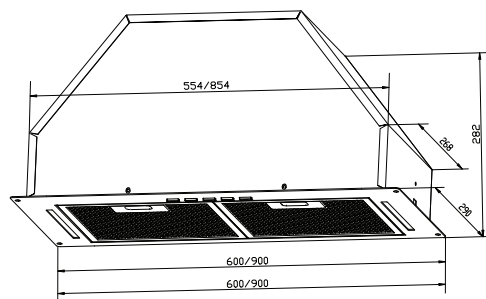
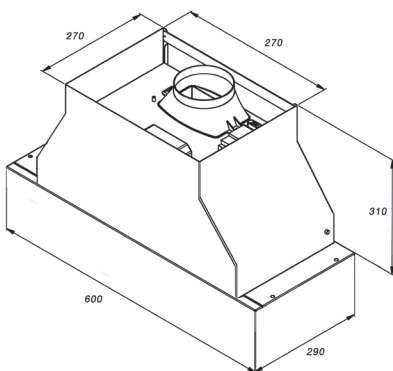
Model IVUM60 & IVUM90 Under Cupboard Rangehood

- Made and purpose built to suit all ILVE appliances
- Available in 60cm and 90cm
- High 850m³/h air extraction
- Dual fan single motor
- <57dB rating
- 3 speed variation
- Twin LED lighting
- Totally concealed hood
- Ducted or recirculating available
- Painted exterior body
- AS304 Stainless steel construction
- Stainless Steel coated aluminium filters with carbon pad

Model: IVUM 90



Model: IVUM 60



Model: IVUM Series Under Cupboard Hood
Size: 60cm and 90cm
Power standard: 10 Amp plug
Ducting size: 150mm

Purchase ILVE genuine accessories for this model at the ILVE online store – www.ilve.com.au

NSW & ACT (Head Office)
48-50 Moore Street Leichhardt
T 02 8569 4600 F 02 8569 4699

VIC, TAS & SA
1211 Toorak Road Camberwell
T 03 9809 2122 F 03 9809 2155

QLD
1/42 Cavendish Road Coorparoo
T 07 3397 0900 F 07 3397 0850

WA & NT
Unit 10/55 Howe Street Osborne Park
T 08 9201 9299 F 08 9201 9188

DISCLAIMER

Eurolinx PTY LTD, trading as ILVE Appliances, is continually seeking ways to improve the design specifications, aesthetics and production techniques of its products. As a result alterations to our products and designs take place continually. Whilst every effort is made to produce information and literature that is up to date, this brochure should not be regarded as an infallible guide to the current specifications, nor does it constitute an offer for the sale of any particular product. Product dimensions indicated in our literature is indicative only. Actual product only should be used to define dimension cutouts. Distributors, and retailers are not agents of ILVE Appliances and are not authorized to bind ILVE Appliances by any express or implied undertaking or representation.