

SFA63M3TVX 60CM CLASSIC THERMOSEAL OVEN



EAN 8017709289317

Dimensions	597mmW x 592mmH x 548mmD
Finish	Fingerprint proof stainless steel Eclipse high visibility black glass
Total functions	9 incl.defrost
Display	Text on panel
Capacity	79L
Cooking levels	5
Thermostat	50 - 250°C
Installation	Built-in
Programmability	End of cooking alarm, minute minder
Cleaning	Vapour Clean
Lighting	1 x 40W halogen
Supplied accessories	1 x Grid with back and side stop 1 x 20mm enamelled tray 1 x 40mm enamelled tray 1 x Insert grid
Optional accessories	PRTX - Pizza Stone PPR2 - Gourmet Cooking Stone PALPZ - Single-handle pizza paddle 38508/510 - Baking Dish GT1P-2 - Partial telescopic guides GT1T-2 - Total telescopic guides
Safety	Cool Door technology, thermal protection system
Power	220-240V, 50/60Hz 3000W 13A Connection
Warranty	Two years parts and labour

THERMOSEAL

The seal of Smeg's quality, technical excellence and taste: succulent roasts, crisp pastry and impressive baking is achieved in Smeg's unique, perfectly controlled cooking environment. Thermoseal maintains the perfect atmospheric balance in the cavity for optimum cooking conditions.



VAPOUR CLEAN

Smeg's Ever Clean enamel's tough surface has a glassy finish, so a simple spray of water and detergent around the cavity in conjunction with the Vapour Clean option will generate heat and steam to soften any grease for a wipe-clean result.



EVER CLEAN ENAMEL

The superior quality of Smeg's patented Ever Clean enamel, which is highly durable and easy to clean, is the result of nearly 70 years of enameling expertise; ensuring long-life performance of every Smeg oven.



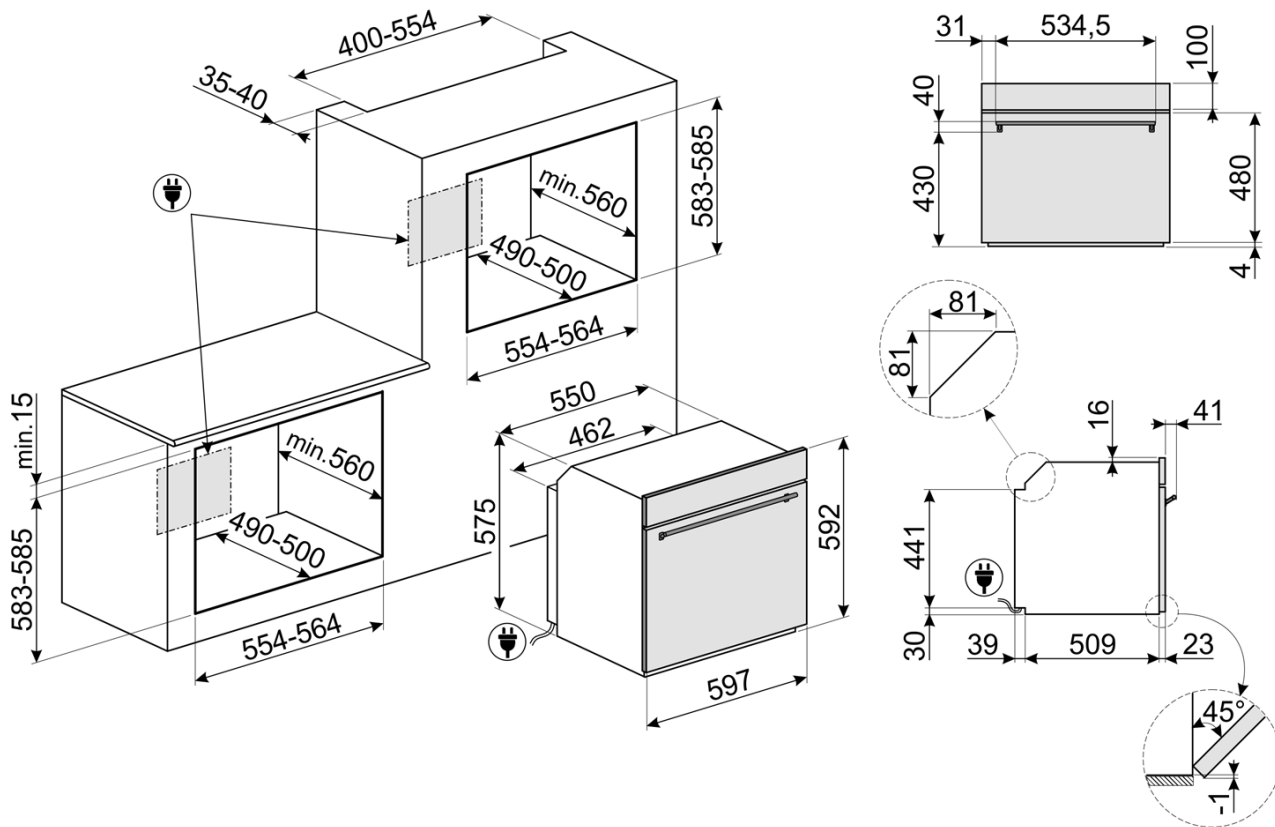
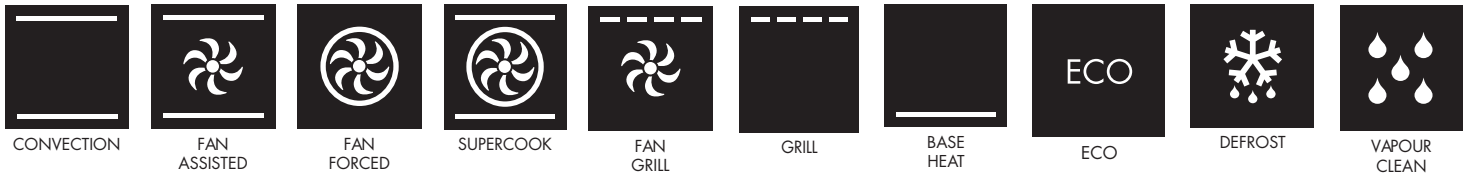
COOL DOOR TECHNOLOGY

Smeg's Cool Door system is a combination of technologies which is driven by a 22 blade tangential fan and includes a heat exchange baffle system. It draws cool air up through the panes of heat-reflective glass in the door, making it safe to the touch even when the oven is at pyrolytic temperatures of around 500°C.

ID210628

SFA63M3TVX
60CM CLASSIC THERMOSEAL OVEN

Functions



PLEASE NOTE: drawings are not to scale. They are to assist only.
WARNING: technical specifications and product sizes can be varied by the manufacturer without notice.
Cutouts for appliances should only be by physical product measurements. The above information is indicative only.

ID210628