

BB06852PDX 85 L Multifunction Aeroperfect™ 60 cm Built-in Oven with Pyrolytic Cleaning



Main Cavity Gross Volume
85 L

Number of Functions
15

Oven Feature
Aeroperfect™

Cleaning Feature
Pyrolytic Self Cleaning

Main Features

Oven feature:	Aeroperfect™ Technology
	Pyrolytic Self Cleaning
Gross Volume:	85 Litres
Net Volume:	72 Litres
Detachable Side Racks:	5 Levels
Standard Telescopic Shelving:	2 Levels Full Extension (level 2&3)
Control Type:	LED Display, Touch Control
Cooling Fan:	Yes
Pre-Heat Booster Function:	Yes
Key Lock:	Yes
Max. Temperature:	280°C (480°C Pyro)
Total Power Consumption:	3.4 kW
Fuse:	min. 16 A

Design

Colour:	Black Glass, Dark Stainless Steel
Illumination:	1 x Round (Top)
Layers of Door Glass:	4 (Cool Door)
Inner Door Type:	Full Glass (removable)
Soft Close Door:	Yes

Cleaning

Pyrolytic Self Cleaning:	Yes
Pyrolytic Door Lock:	Yes

Accessories

Meat Probe:	Standard
Standard Telescopic Shelving:	2 Levels Full Extension (level 2&3)
Cooking Tray (Standard):	1
Cooking Tray (Deep):	1
Tray Rack (Standard):	1
Wire Shelf for Side Racks:	2

Functions

Number of Functions	15
Bottom Heating	Top and Bottom Heating
Fan Heating	Fan Assisted Top & Bottom
3D Function	Pizza Function
Full Grill	Low Grill
Keep Warm	Fan Assisted Full Grill
Operating with Fan	Bread Function
Extra Function Activation	Operating with Fan
Pyrolytic Self Cleaning	

Dimensions & Weights

Built-in dimensions (cabinet):	See diagram page 2
Height:	590 mm
Width:	560 mm
Depth:	550 mm
Built-in dimensions (under bench):	See diagram page 2
Height:	600 mm
Width:	560 mm
Depth:	550 mm
Unpacked Weight:	36.1 kg
Packaged Height:	655 mm
Packaged Width:	660 mm
Packaged Depth:	660 mm
Packaged Weight:	38.5 kg

Sku:	7757787643
Ean Code:	8690842424229
Manufacturers Warranty:	2 Years + 3 Years by Registration
Launch Date:	October 2021

BB06852PDX

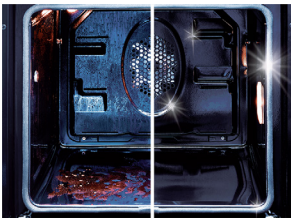
85 L Multifunction Aeroperfect™ 60 cm Built-in Oven with Pyrolytic Cleaning



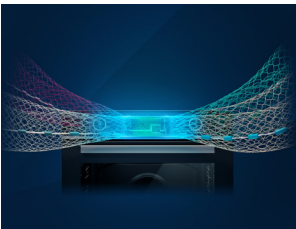
Aeroperfect™ Technology - Bake perfect cupcakes, roast a delicious Sunday dinner or use the grill to make a hearty but healthy breakfast. Aeroperfect™ technology provides uniform hot air distribution throughout the oven and minimises temperature fluctuation, ensuring even and precise cooking every time.



Large Capacity- We understand how busy your home life can get and how important it is to be able to cook more food in one go. Our large capacity ovens come in a huge 85 litres gross capacity, so you can cook everything you need for your family & friends.



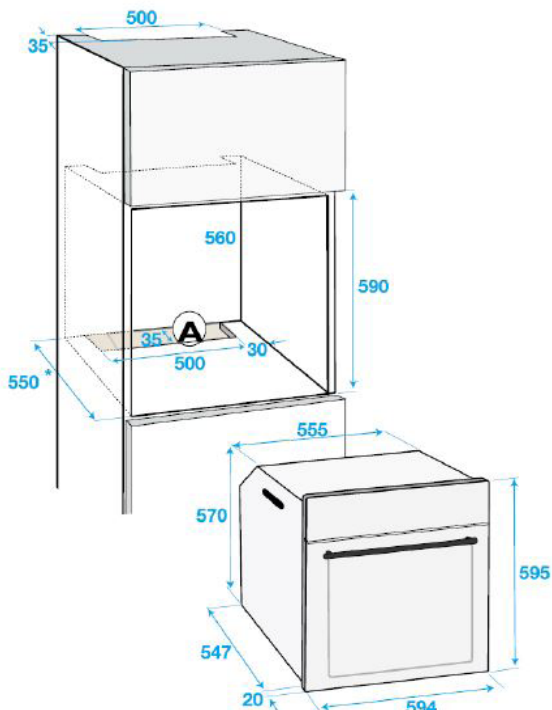
Pyrolytic Self Cleaning- Save time in the kitchen with our ovens that clean themselves at the touch of a button. The oven heats up to a super-hot 480°C, burning away dirt and grease, and then all you have to do is use a damp cloth to wipe clean.



Recycled Net- In the production of these ovens, in the parts of door décor plastic, display cover 5% fishing net waste & 65% industrial thread waste are used. And the inner display cover's 50% is made with industrial thread waste. Beko used 71 tons* of recycled fishnets and industrial thread waste in 2019 & 2020, transforming them into the new materials that go into our RecycledNet™ ovens.

*Parent company production in 2019 & 2020

Cabinet Dimensions



Under Counter Dimensions

